

SecuriFire
B5-OM8
 Surveyed output board

The B5-OM8 board contains eight monitored outputs 24V / 1.3A.

Domain: SCP3000



Fig. 1 B5-OM8

Function/Application

The B5-OM8 is for connecting peripheral devices (sirens, flashing lights, Extinguishing valves, etc.). It includes 8 quiescent current surveyed outputs for max. 1.3 A each and for loads of 20 Ω to 1'000 Ω in 3 load ranges. The setting of the load range has to be planned exclusively with software (SecuriFire Studio).

The system connection to the B5-BUS is on the rear side using a 64-pin male connector. The outputs are connected on the front side of the board with a 16-pin plug-in terminal.

The outputs are selectively monitored for short-circuits and wire breakage (according to EN54-13).

Interfaces

X1 Connection to the B5-BUS

X2 Connector plug for monitored outputs

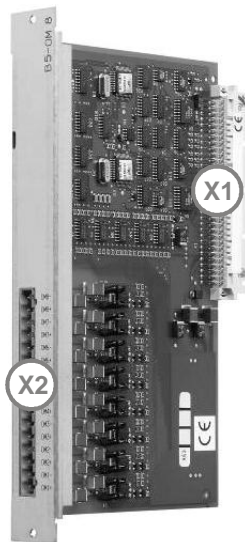


Fig. 2 B5-OM8 interfaces

Connector plug for monitored outputs (X2)

Output no.	Terminal	Designation	Function
8	1	OM8 -	GND
	2	OM8+	+24V
7	3	OM7 -	GND
	4	OM7+	+24V
6	5	OM6 -	GND
	6	OM6+	+24V
5	7	OM5 -	GND
	8	OM5+	+24V
4	9	OM4 -	GND
	10	OM4+	+24V
3	11	OM3 -	GND
	12	OM3+	+24V
2	13	OM2 -	GND
	14	OM2+	+24V
1	15	OM1 -	GND
	16	OM1+	+24V

Technical data X2

Output voltage	24 V DC (22 ...28 V DC)
Output current	max. 1.3 A
Short-circuit current	1,45 ... 2,76 A
Load range	
Range 1	160 Ω to 1 kΩ
Range 2	57 Ω to 375 Ω
Range 3	20 Ω to 75 Ω
Line resistance	
Range 1	max. 50 Ω
Range 2	max. 20 Ω
Range 3	max. 5 Ω
Monitoring current	
Range 1	1 mA
Range 2	3 mA
Range 3	15 mA
Mechanical	plug-in screw terminal, max. 2.5 mm ²

Planning

The country-specific directives apply when planning and installing automatic fire detector systems.

The B5-OM8 is built to be redundant to ensure system availability. All logical functional blocks are doubled.

If there is a fault, a switch is made automatically to the second system, and the operability remains fully in tact in this case.

The B5-OM8 can be fitted in the unit rack of each SecuriFire 3000 at slots 2 to 9 of the unit rack.



The total current of all simultaneously activated monitored outputs within the SCP must not exceed 4 A.

The B5-OM8 is supported beginning with SecuriFire Studio V 1.2.

Connection examples

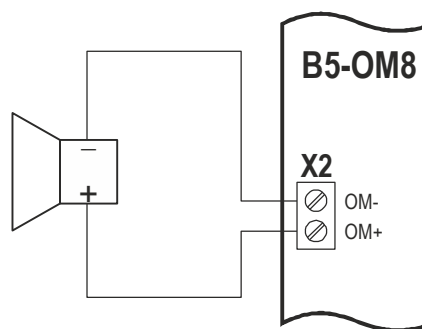


Fig. 3 Quiescent current surveyed controls

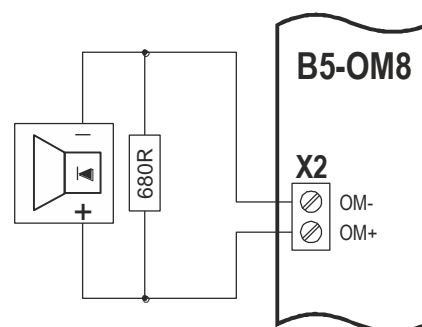


Fig. 4 Electronic loads

Article numbers / spare parts

Short designation		Art. number CH	Art. number
B5-OM8	Surveyed output board	115.248 185	20-1000002-01-01
ST-OM8	Plug for outputs	239.239 674	FG74095

Technical data

Power supply	provided by the B5-PSU power supply unit via the B5-BUS
Quiescent current consumption	28 mA
Protection type	according to control panel
Ambient temperature, Relative humidity, Air pressure	according to control panel
Weight (gross/net)	336/216 g