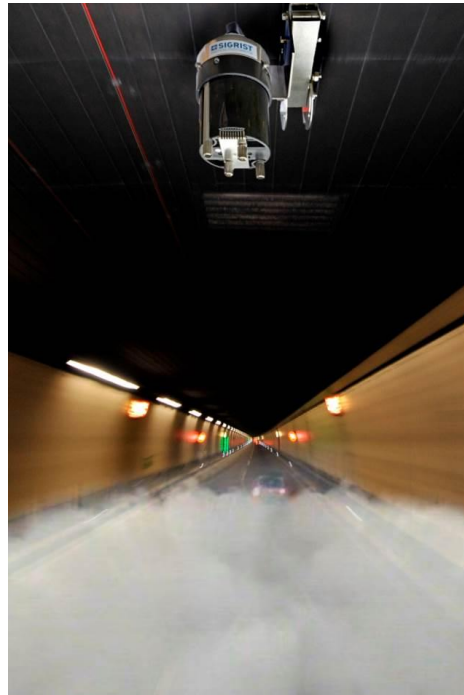
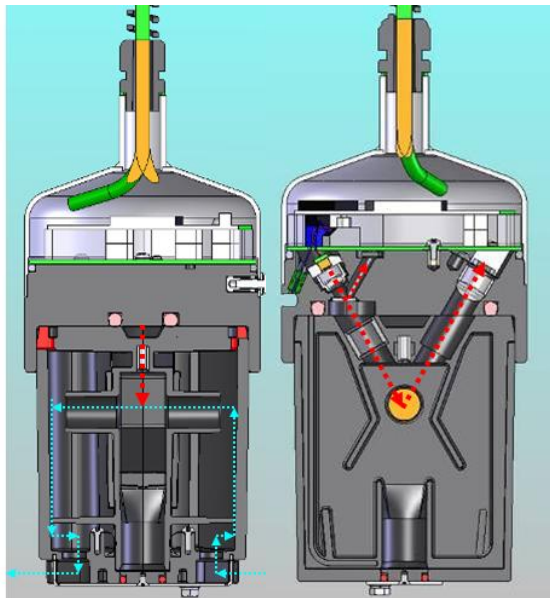
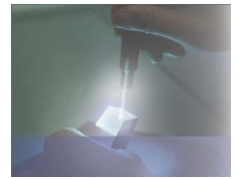


# FireGuard 2

*USP & Product Advantages » Customer Benefit*



# FireGuard, the most genius fire detector: simple – safe – reliable

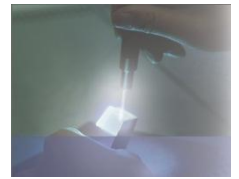


## Compact design – no moving parts

The sensor uses the natural existing air stream in the tunnel:

- » In the instrument, there are no moving parts (e.g. blower)
- » No risk of a failure due to wear
- » Extremely low operating costs

# FireGuard, the most genius fire detector: simple – safe – reliable

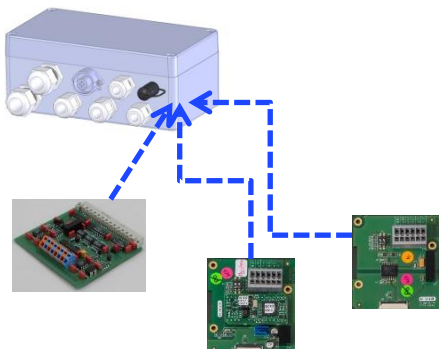


## Various installation options

The FireGuard is available in different versions for various mounting:

- » Adjustable mounting bracket (0 – 90°) for the installation on the wall or on the ceiling, regardless of the tunnel profile
- » Special installation kit for the installation in the intermediate ceiling available
- » Possibility to install directly into the tunnel ventilation dampers

# FireGuard, the most genius fire detector: simple – safe – reliable



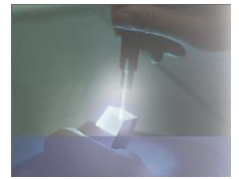
## Flexible System integration

The integration of the FireGuard in new or existing tunnels is easy and flexible done using a modular designed connection concept:



- » Connection box with various modules and optional connection plug
- » Modern interface modules for Profibus DP, Modbus RTU, Power/Relays and WLAN for an individual tailored system integration
- » Simple parametrization using a handheld operated unit or via WLAN
- » Model “Integral” with integrated connection box

# FireGuard, the most genius fire detector: simple – safe – reliable



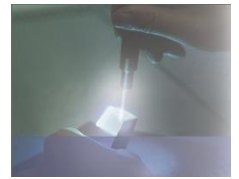
## LED light source



SIGRIST uses the well-proven LED-technology since 1998. LED's have the following advantages:

- » Very low power consumption = low operating cost
- » Very long life span, typically > 10 years. Therefore, no regular change of the light source is required
- » Very stable light intensity over the whole life span, therefore, literally no drifts. One calibration check per year is sufficient

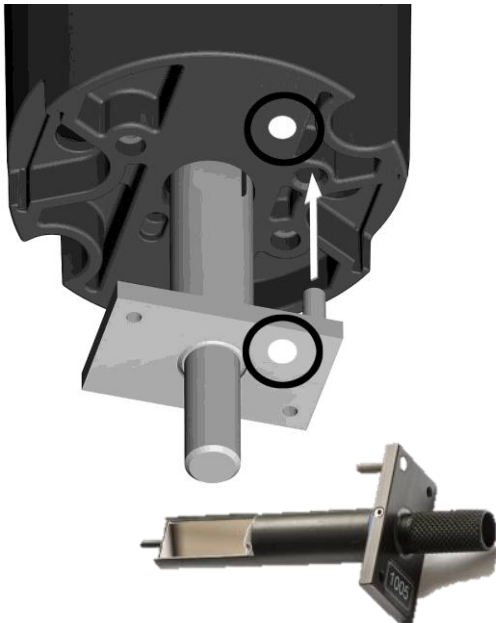
# FireGuard, the most genius fire detector: simple – safe – reliable



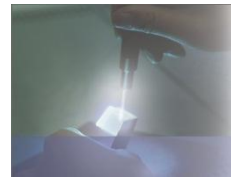
## Easy calibration using a calibration rod

Since decades, SIGRIST offers so called secondary standards for checking and adjusting the calibration:

- » Fast and reliable calibration without any tools
- » The FireGuard recognizes the checking rod and performs the calibration automatically within less than 30 seconds
- » Works independent from the current air quality existing in the tunnel



# FireGuard, the most genius fire detector: simple – safe – reliable



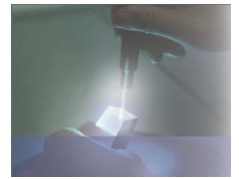
## Continuous system monitoring in the background



Avoiding false alarms is one of the most important criteria for a reliable smoke detection. The intelligent electronic monitors all relevant parameters in the background:

- » High reliability, no false alarms
- » System status through LED visible on the sensor
- » Soiling monitoring, user adjustable

# FireGuard, the most genius fire detector: simple – safe – reliable



## Easy maintenance

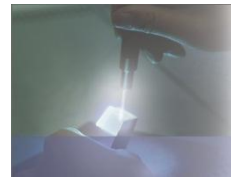
There's limited time available for the maintenance of tunnel sensors. Maintenance of the FireGuard is very easy and quick:

- » Dismantling of sensor without any special tools
- » Tool less sensors are optionally available
- » Maintenance interval is typically once every 2-5 years
- » Maximum time needed is 15 – 25 minutes per sensor





# FireGuard, the most genius fire detector: simple – safe – reliable



## Extremely low maintenance cost



SIGRIST instruments are known for a low total cost of ownership. The FireGuard is no exception:

- » No parts subject to wear and tear
- » No consumables
- » No need for lamp changing